
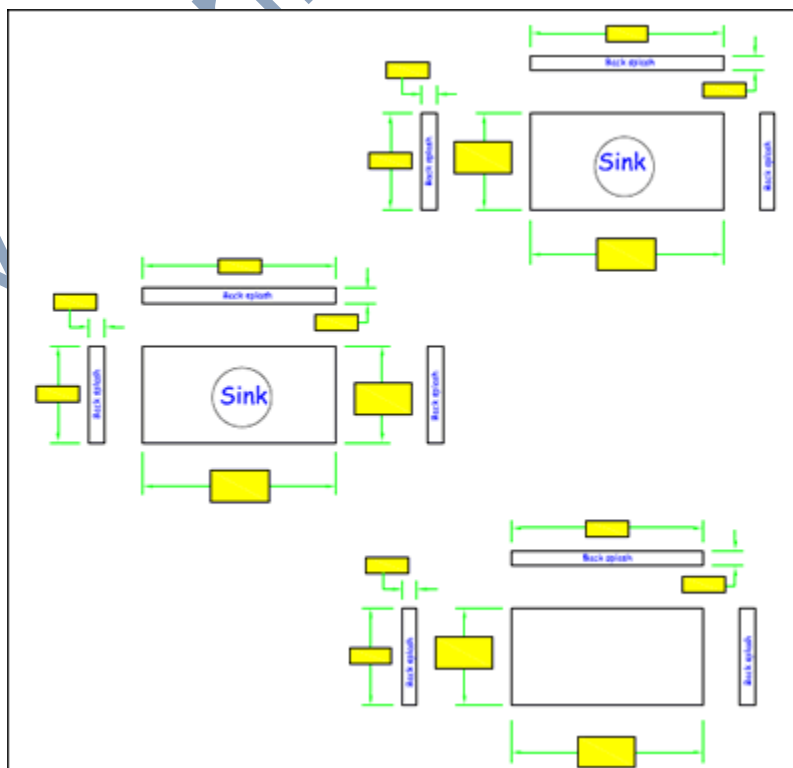


# Trinity Granite and Marble

(423) 772 - 0034

	Job #		Date of Order		
	Company:		Date of Template		
	Reference:		Date of Confirmation		
	Sales Person:		Date Work Completed		
Address of Job			Date of Pickup or Install		
Phone Number					
Color		Kitchen Sink		UMS/DIS	
Size		Veg Sink		UMS/DIS	
2cm/3cm/other		From	Bar Sink/ Utility		UMS/DIS
Material Ordered		Bathroom Sink		UMS/DIS	
Material Received		Cook top		Range	
		Backsplash: Yes or No		Height:	
W = Wall	Cab = Cabinet	CL = Centerline	R = Radius		(R1 = 1" Radius)
O = Flat Polish					(R2 = 2" Radius)
X = Finished Edge: Bullnose - DemiBull					(R3 = 3" Radius)

## Bath Vanity Tops 2 Layout



# Trinity Granite and Marble

(423) 772 - 0034

## How to measure your kitchen for new counter tops

1. Select the diagram that resembles your kitchen layout from our web site.
2. Print that form as a guide to measuring your kitchen. You can print several if needed for a more complicated layout.
3. Use a tape measure and fill in the boxes for as many measurements as needed to define your kitchen. You are also encouraged to take a few photos with your phone or camera to bring in with your form.

Use the TrinityGranite.com.com web site to view a selection of the many products we offer to help in the design of your new kitchen. You can view materials, available edges, and sinks by visiting [www.TrinityGranite.com](http://www.TrinityGranite.com).

4. Also select your edge profile and mark the drawing with an "X" for the areas that require an edge.
5. Bring this form and your pictures to our store located at: [206 Johnson Street Roan Mountain, TN 37687](#) and/or send your information to [sales@trinitygranite.net](mailto:sales@trinitygranite.net). Another option is to fax us the form (423-772-4634) and we will respond in a timely manner.
6. One of our knowledgeable sales representatives will help you with selection and provide you with an estimate of cost\*.
7. Please see more information on our web site, including directions or call our office to speak to a kitchen specialist for help at [\(423\) 772 - 0034](tel:(423)772-0034).

\*This will be used just to calculate an estimate. Nothing will be fabricated from this form. Once you have made your decision to purchase your new kitchen, Trinity Granite will send a professional installer to make templates, sink centers and drawings, before fabrication begins. At that time an exact estimate will be prepared for you.